

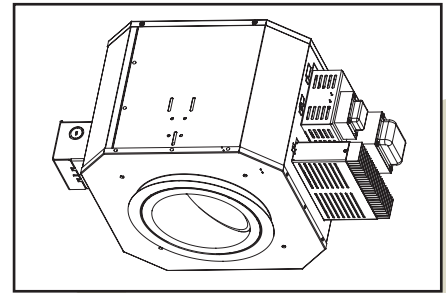
# OMA150T6MHLWW

## AVARA™ Color Mixing Lensed Wall Wash

CAT. NO:

TYPE:

PROJECT:



### PRODUCT INFORMATION

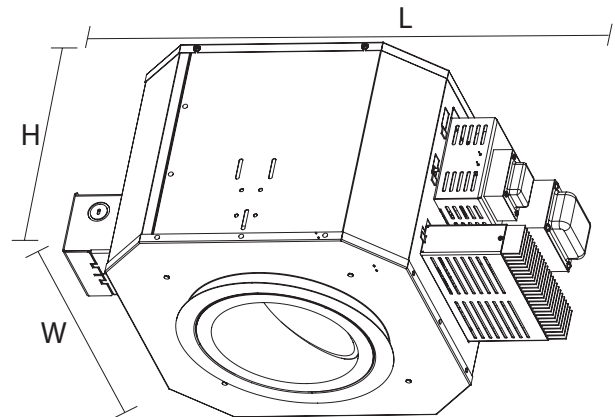
#### Applications

The AVARA™ Color Mixing Wall Wash luminaire from Omega Lighting utilizes the latest in downlight technology incorporating an innovative, patented CYM color system. From nightclubs to airports, retail boutiques to gourmet restaurants, the AVARA™ is ideal for any space with controlled ambient lighting. Whether the needs are for flood, wall washing, or both, the AVARA™ delivers either crisp white light or rich saturated colors for endless applications.

#### Specifications

- Color System** - Full cross-fading, patented dichroic color mixing system. Provides color mixing without lines, shadows or visual obstructions. (Rapid color changes may produce a slight audible sound.)
- Power Supply Feed** - 120 or 277 VAC constant power supply from an ON/OFF (non-dim) switching or constant power source.
- Mounting** - Non-IC. Suitable for plaster or T-Grid ceilings. Install with minimum spacing: centers of adjacent fixtures at 4 feet; fixture center to side wall at 2 feet; top of fixture and overhead building member at 0.5 inch.
- Power Consumption** - 1.95A/120V, 0.85A/277V - Normal Operation, 3.7A/120V, 1.6A/277V - During Lamp Strike.
- Operating Voltage** - 120VAC 50/60Hz, 277VAC 50/60Hz (dependent on model).
- Lamp** - Philips Master Color CDM-T 150W/830 G12 T6, 150 Watt, 12,000 Hours (approx.)<sup>1</sup> Lamp Temperature 3000° Kelvin. 85 CRI (ordered separately).
- Junction box** - Standard J-Box for power supply/branch wiring circuit.
- Control Protocol** - DMX512-A non-isolated (sold separately). 6 DMX Channels. Example: Channel #1 Dimmer, #2 Cyan, #3 Yellow, #4 Magenta, #5 Dimmer fade rate, #6 Color cross-fade rate (timed color moves).
- AVARA™ Controllers** - Controls individual luminaires each with its own unique channel address. Controls multiple luminaires that share the same channel address. Use as a stand alone Master or with a DMX 512 controller / programmer to learn scenes. Provides 32 popular pre-programmed color selections, in addition to intensity, fade control, scene (show) cycle and preset scene control.
- ETL Listed** - Damp location certified for a maximum of 6 No.14 ga. 90 degree C through branch wiring conductors. Meets all safety requirements of ETL and N.E.C.

1. Rated Average Life is the life obtained on average from a large representative group of lamps in laboratory tests under controlled conditions at 10 or more operating hours per start. It is based on the survival of at least 50% of lamps.



**W = Width: 16.0" (40.64 cm)**  
**L = Length: 24.75" (62.87 cm)**  
**H = Height: 12.5" (31.75 cm)**

6

### CATALOG SYSTEM AND OPTIONS

EXAMPLE OF COMPLETE CATALOG NUMBER: **OMA150T6MHLWWCS-120**

Series	Lamp Wattage/Type	Reflector Option	Reflector Finish	Supply Voltage	Avara™ Master Controllers
OMA Omega Avara™	150T6MH 150 watt T6 CMH	LWW Lensed Wall Wash	CS Clear Specular Alzak BK Black Alzak	120 277	OMADMX45ES - 4 fixture controller <sup>1,2</sup> OMADMX85ES - 8 fixture controller <sup>1,2</sup> OMADMX125ES - 12 fixture controller <sup>1,2</sup> OMADMX165ES - 16 fixture controller <sup>1,2</sup>

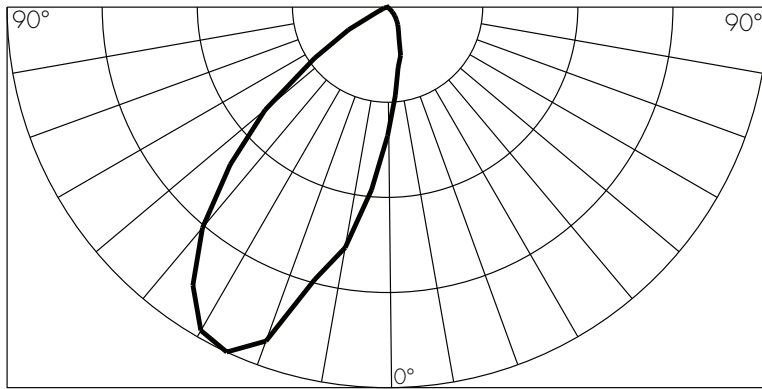


**THREE YEAR**  
**Warranty**

- Controllers require rough-in box (ordered separately).  
**OMCLB8** - Rough-in box for 4 & 8 channel controller.  
**OMCLB16** - Rough-in box for 12 & 16 channel controller.
- Optional Remote  
**OMCL8RES** - 8 Button Remote (use with Master for one touch access-13 scenes).

**LAMP: OMALP150T6CDM830**

**PHOTOMETRIC DATA**



0-Degree Horizontal Plane  
90-Degree Horizontal Plane  
180-Degree Horizontal Plane  
270-Degree Horizontal Plane

ANGLE	WALL
0	267
5	381
10	507
15	586
20	737
25	789
30	775
35	704
40	597
45	462
50	332
55	185
60	94
65	24
70	10
75	7
80	2
85	0
90	0

**FOOTCANDLES**

Multiple Units - Footcandles On Wall  
4' from Wall - 4' on Center

Distance From Ceiling in Feet	4' ----- 4'		
	1'	2'	4'
1'	4	2	4
2'	24	13	24
3'	94	70	94
4'	134	119	134
5'	139	128	139
6'	124	119	124
7'	105	102	105
8'	86	85	86
9'	69	69	69
10'	57	57	57
11'	46	46	46

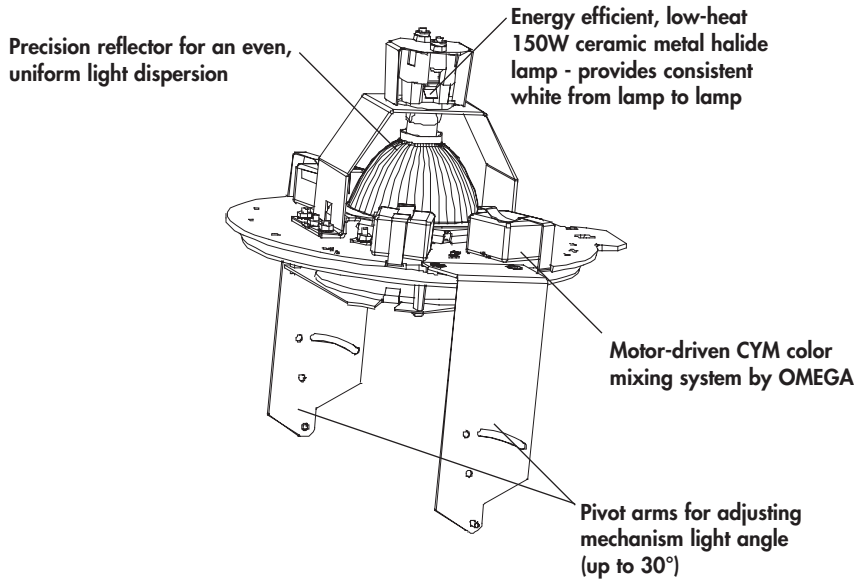
Multiple Units - Footcandles On Wall  
6' from Wall - 6' on Center

Distance From Ceiling in Feet	6' ----- 6'		
	1'	2'	6'
1'	1	1	1
2'	3	2	3
3'	11	6	11
4'	30	24	30
5'	51	40	51
6'	60	53	60
7'	63	57	63
8'	60	57	60
9'	55	53	55
10'	50	48	50
11'	44	43	44

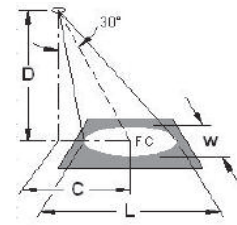
**Lamp:** 150W 150/T6/830 MH  
**Total Rated Lamp Lumens:** 14000  
**Total Luminaire Efficiency:** 40.9 %  
**CIE Type:** Direct  
**Spacing Criteria (0-180 Degree):** 2.1

**Spacing Criteria (90-270 Degree):** 0.8  
**Basic Luminous Shape:** CIRCULAR  
**Luminous Diameter:** 0.8 Feet  
**Date:** 12-21-05 / **Certified Test No:** 91392E

**COLOR MIXING MECHANISM**

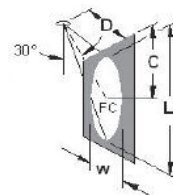


30° Aiming Angle - Horizontal Illumination on Plane



D	C	FC	L	W
10	5.8	91	10.2	8.4
12	6.9	63	12.2	10.1
14	8.1	46	14.2	11.8
16	9.2	35	16.2	13.4

30° Aiming Angle - Vertical Illumination on Plane



D	C	FC	L	W
4	6.9	109	19.3	5.8
5	8.7	70	24.2	7.3
6	10.4	48	29.0	8.7
7	12.1	36	33.8	10.2

This product may be covered by one or more of the following U.S. Patents: #4,413,211; 4,430,576; 4,465,956; 4,733,138; 4,792,731; 4,880,950; 4,988,840; 4,992,709; 5,004,969; 5,128,654; 5,153,816; 5,189,259; 5,194,858; 5,239,255; 5,371,439; 5,371,444; 5,636,111; 5,642,104; 5,646,490; Des. 307,578; Des. 333,124; License 4,482,844 and corresponding foreign patents. Other Utility, Design and Foreign Patents Pending. We reserve the right to change details of design, materials and finish in any way that will not alter the installed appearance or reduce function performance. Specifications are subject to change without notice.

Additional photometric test files are available @ [omegalighting.com](http://omegalighting.com)



**OMEGA LIGHTING:**  
776 South Green St., Tupelo, MS 38804  
Phone 662.842.7212 FAX 662.841.5501

**CANADIAN DIVISION:**  
189 Bullock Drive, Markham, Ontario, Canada L3P 1W4  
Phone 905.294.9570 FAX 800.268.0003