

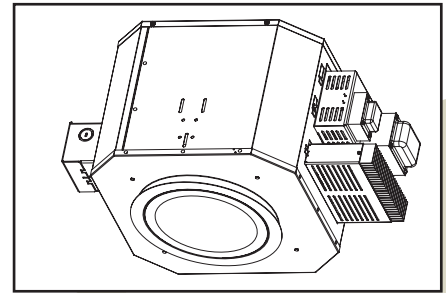
OMA150T6MH

AVARA™ Color Mixing Downlights

CAT. NO:

TYPE:

PROJECT:



PRODUCT INFORMATION

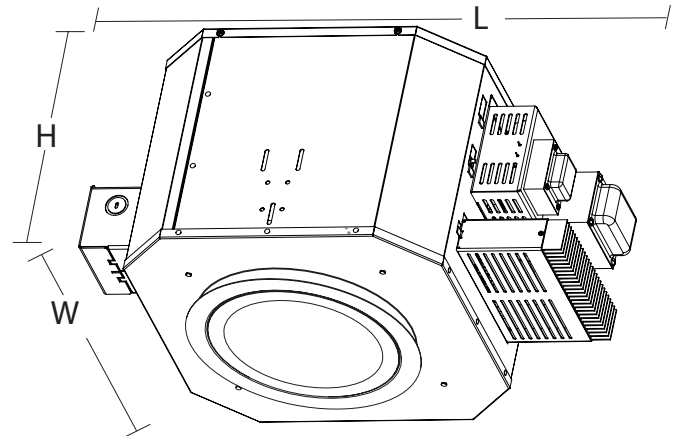
Applications

The AVARA™ Color Mixing Downlight from Omega Lighting is the latest in downlight technology incorporating an innovative, patented CYM color system. From nightclubs to airports, retail boutiques to gourmet restaurants, the AVARA™ is ideal for any space with controlled ambient lighting. Whether the needs are for flood, wall washing, or both, the AVARA™ delivers either crisp white light or rich saturated colors for endless applications.

Specifications

- Color System** - Full cross-fading, patented dichroic color mixing system. Provides color mixing without lines, shadows or visual obstructions. (Rapid color changes may produce a slight audible sound.)
- Power Supply Feed** - 120 or 277 VAC constant power supply from an ON/OFF (non-dim) switching or constant power source.
- Mounting** - Non-IC. Suitable for plaster or T-Grid ceilings. Install with minimum spacing: centers of adjacent fixtures at 4 feet; fixture center to side wall at 2 feet; top of fixture and overhead building member at 0.5 inch.
- Power Consumption** - 1.95A/120V, 0.85A/277V - Normal Operation, 3.7A/120V, 1.6A/277V - During Lamp Strike.
- Operating Voltage** - 120VAC 50/60Hz, 277VAC 50/60Hz (dependent on model).
- Lamp** - Philips Master Color CDM-T 150W/830 G12 T6, 150 Watt, 12,000 Hours (approx.)¹ Lamp Temperature 3000° Kelvin. 85 CRI (ordered separately).
- Junction box** - Standard J-Box for power supply/branch wiring circuit.
- Control Protocol** - DMX512-A non-isolated (sold separately). 6 DMX Channels. Example: Channel #1 Dimmer, #2 Cyan, #3 Yellow, #4 Magenta, #5 Dimmer fade rate, #6 Color cross-fade rate (timed color moves).
- AVARA™ Controllers** - Controls individual luminaires each with its own unique channel address. Controls multiple luminaires that share the same channel address. Use as a stand alone Master or with a DMX 512 controller / programmer to learn scenes. Provides 32 popular pre-programmed color selections, in addition to intensity, fade control, scene (show) cycle and preset scene control.
- ETL Listed** - Damp location certified for a maximum of 6 No.14 ga. 90 degree C through branch wiring conductors. Meets all safety requirements of ETL and N.E.C.

1. Rated Average Life is the life obtained on average from a large representative group of lamps in laboratory tests under controlled conditions at 10 or more operating hours per start. It is based on the survival of at least 50% of lamps.



W = Width: 16.0" (40.64 cm)
L = Length: 24.75" (62.87 cm)
H = Height: 12.5" (31.75 cm)

6

CATALOG SYSTEM AND OPTIONS

EXAMPLE OF COMPLETE CATALOG NUMBER: **OMA150T6MHCS-120**

Series	Lamp Wattage/Type	Reflector Option	Reflector Finish	Supply Voltage	Avara™ Master Controllers
OMA Omega Avara™	150T6MH- 150 watt T6 CMH	Blank Downlight 40° Flood	CS Clear Specular Alzak BK Black Alzak	120 277	OMADMX45ES - 4 fixture controller ^{1,2} OMADMX85ES - 8 fixture controller ^{1,2} OMADMX125ES - 12 fixture controller ^{1,2} OMADMX165ES - 16 fixture controller ^{1,2}

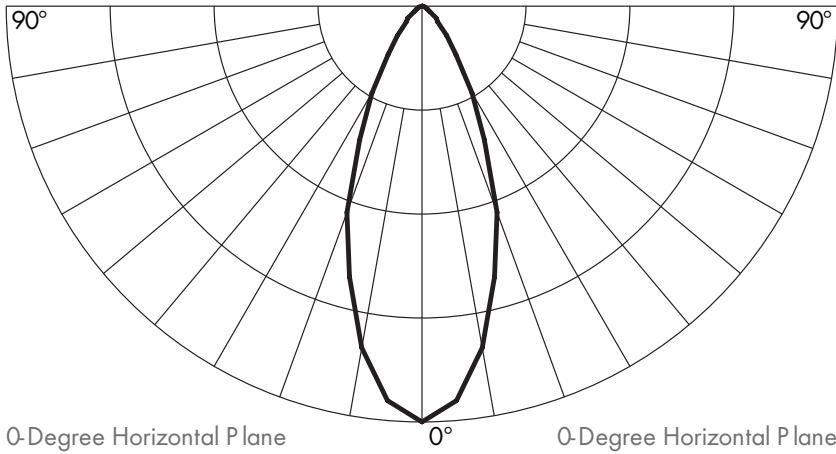


THREE YEAR
Warranty

- Controllers require rough-in box. (ordered separately).
OMCLB8 - Rough-in box for 4 & 8 channel controller.
OMCLB16 - Rough-in box for 12 & 16 channel controller.
- Optional Remote.
OMCLBRES - 8 Button Remote (use with Master for one touch access-13 scenes.

LAMP: OMALP150T6CDM830

PHOTOMETRIC DATA

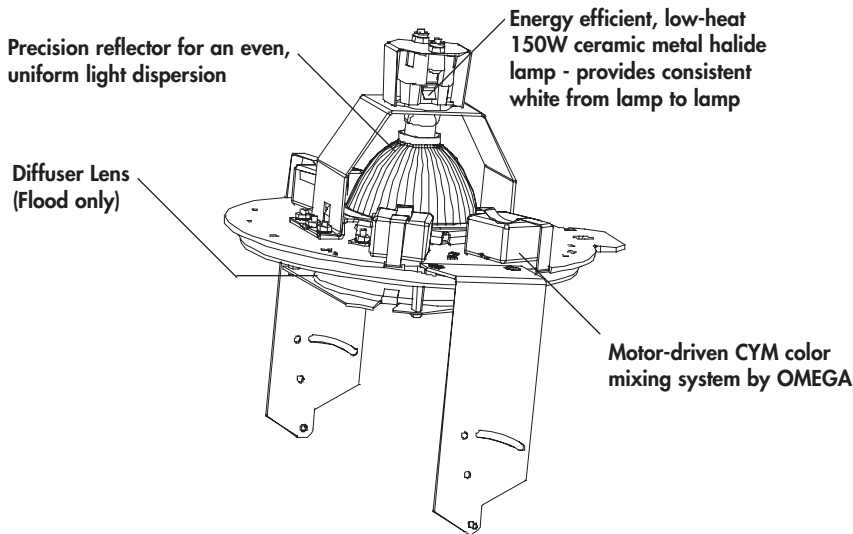


ANGLE	WALL
0	1297
5	1235
10	1082
15	874
20	685
25	460
30	313
35	185
40	119
45	68
50	59
55	30
60	21
65	15
70	12
75	10
80	0
85	0
90	0

6

Lamp: 150W 150/T6/830 MH
Total Rated Lamp Lumens 14000
Total Luminaire Efficiency 61.1 %
CIE Type: Direct
Spacing Criteria (0-180 Degree) 0.7
Spacing Criteria (90-270 Degree) 0.7
Basic Luminous Shape CIRCULAR
Luminous Diameter 0.8 Feet
Date: 12-21-05 / **Certified Test No:** 91392B

COLOR MIXING MECHANISM



This product may be covered by one or more of the following U.S. Patents: #4,413,211; 4,430,576; 4,465,956; 4,733,138; 4,792,731; 4,880,950; 4,988,840; 4,992,709; 5,004,969; 5,128,654; 5,153,816; 5,189,259; 5,194,858; 5,239,255; 5,371,439; 5,371,444; 5,636,111; 5,642,104; 5,646,490; Des. 307,578; Des. 333,124; License 4,482,844 and corresponding foreign patents. Other Utility, Design and Foreign Patents Pending. We reserve the right to change details of design, materials and finish in any way that will not alter the installed appearance or reduce function performance. Specifications are subject to change without notice.

Additional photometric test files are available @ omegalighting.com



OMEGA LIGHTING:
 776 South Green St., Tupelo, MS 38804
 Phone 662.842.7212 FAX 662.841.5501

CANADIAN DIVISION:
 189 Bullock Drive, Markham, Ontario, Canada L3P 1W4
 Phone 905.294.9570 FAX 800.268.0003