

Architectural Downlighting

OM6LED 2000

6" LED

2000 Lumen Downlight
with Lutron Hi Lume A Series



Specifier's Reference

| |
|-----------|
| Project |
| Type |
| Model No. |
| Comments |

application

- Philips Omega Revelation LED downlight utilizes the proprietary remote phosphor technology to produce one of the most efficient and advanced LED systems available for general illumination in retail, hospitality, office and institutional applications.

light engine

- Philips Omega mixing chamber/optical assembly: Remote phosphor technology provides increased efficiency and color stability by redirecting back reflected light. Phosphor lens assembly converts high brightness royal blue light into white light for an even, diffused pattern, eliminating bright spots often created by individual LEDs. This technology provides consistent, stable color with CCT color control of +/- 100K over the life of the light engine and provides 20% higher efficiency.
- LED Array: The LED Array consists of a metal core circuit board with 16 high brightness royal blue LEDs.
- Color: Available in three CCT options, 3000K, 3500K or 4000K with 80CRI +/-2%.
- Electrical: The power supply/driver features the Lutron A Series 120-277VAC 50/60hz, with continuous dimming down to 1%. The power supply is overload and short circuit protected as well as thermally regulated to prevent overheating. Sound rating A. Driver has rated lifetime of 50,000 hours. For more detailed information visit www.lutron.com.
- Lifetime/Lumen Maintenance: 50,000 hour lifetime at 70% lumen maintenance light engine.

construction

- Thermal Management: A proprietary die-cast aluminum heat sink allows for easy and tool-less installation to the housing yoke. The heat sink is designed to properly maintain junction temperatures in recessed Non-IC applications to provide reliable performance over the life of the light engine. The heat sink incorporates alignment tabs to properly position with the housing. Rust resistant springs are used to secure the reflector to the light engine. Fixtures should not operated or exceed ambient temperature above 40°C.

- Housing: Precision die stamped 18ga galvanized steel mounting pan and yoke assembly. Allows for ceiling thickness up to 1-3/8". Yoke supports weight of heat sink and light engine assembly to prevent stress on finished reflector.
- Reflector: The lower trim is die-formed of 0.40 low iridescent aluminum and is self-flanged with a variety of finishes available. White flange is standard. Optional polished flange matching trim finish is available, add FF to the catalog number. Optics are designed to provide a 50° visual and reflective cutoff.
- C-Channels: Philips Omega Revelation C-Channels are included and provide vertical and horizontal adjustments. These allow for fast and adjustment free installation in T-bar ceilings with 1/2" tile. C-Channels simply snap on grid for proper alignment in 24" O.C. grid systems.
- Junction Box: 16 ga galvanized steel. UL listed for 8 No. 12 AWG, 90C through branch circuit conductors. Allows inspection below ceiling.
- Service: Modular construction allows for easy maintenance of complete system below ceiling. Removing reflector provides easy access to heat sink and light engine assembly. This assembly may be removed by de-pressing the springs which attach to the yoke and then simply opening protective cover and unplugging the push in connector from the LED board.

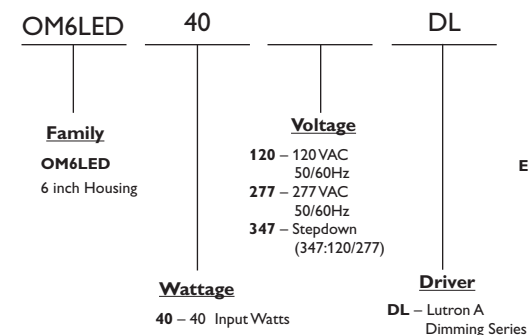
listings & warranty

- ETL, cUL Listed. (Suitable for wet location applications.)
- LED life calculations are based upon application junction temperatures an driver currents at or below IESNA - LM-80-08 manufacturer's test data. IES test performed per IESNA - LM-79-08.
- 5 year Warranty

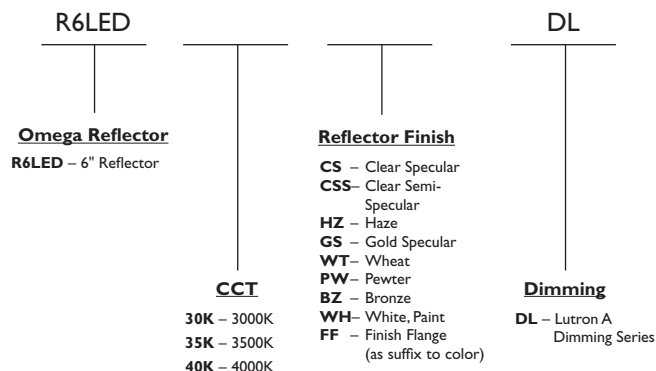


Green Choice: OM6LED40120DL-R6LED30KCSDL

HOUSING



LIGHT ENGINE - REFLECTOR



Footnotes

1. Delivered lumen output in emergency mode ranges from 500-550 lumens.

General Notes

Lumen output varies depending on CCT, refer to specific IES files for details

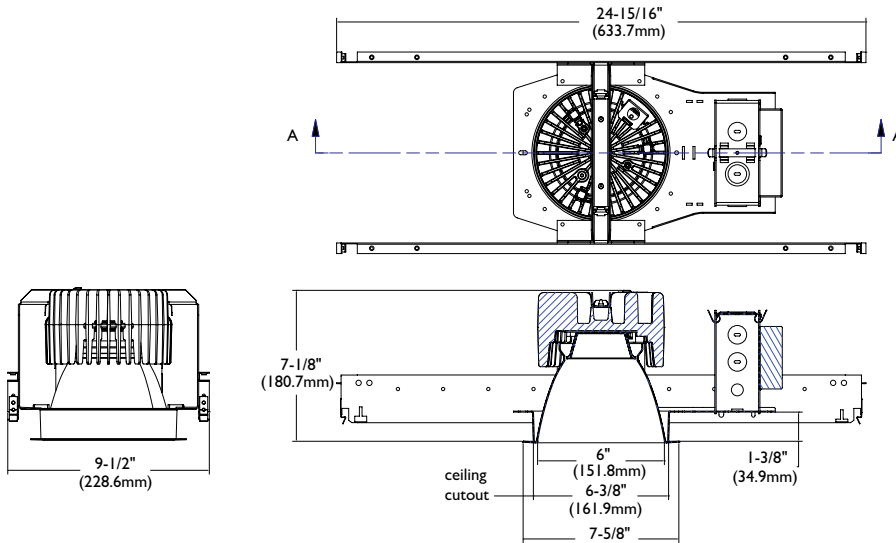
Accessories (ordered separately)

- SA6** - Slope ceiling adapter (specify in 5° increments up to 30°)
- OMTCA6** - Thick ceiling adapter (specify finish to match reflector, ie. CS)

energy data

| Input Voltage | Input Current | Drive Current | Input Power | LED Power | THD % | Power Factor |
|---------------|---------------|---------------|-------------|-----------|-------|--------------|
| 120 | 0.36 | 700mA | 40 | 35.4 | 10% | >0.9 |
| 277 | 0.17 | 700mA | 40 | 35.4 | 10% | >0.9 |

dimensions



photometrics

OM6LED40120DL-R6LED30KCSDL

Tested to LM-79 standards.

| Clear Specular Reflector | Candle Power | | | | Average Luminance (Cd/sq. meter) | | | |
|---|------------------------------------|------|------|-------|----------------------------------|------|------|-------|
| | Angle | End | 45 | Cross | Angle | End | 45 | Cross |
| Test No. 29745 | 0 | 2404 | 2404 | 2404 | 45 | 3644 | 4419 | 4807 |
| S/MH (0 degree plane) 0.8 | 5 | 2406 | 2398 | 2393 | 55 | 382 | 478 | 573 |
| Lamp Type (1) 16 Royal Blue LEDs | 10 | 2367 | 2359 | 2347 | 65 | 130 | 130 | 130 |
| Total Fixture Lumens 1796 | 15 | 2252 | 2235 | 2213 | 75 | 0 | 0 | 0 |
| IES File 29745.ies | 20 | 1970 | 1905 | 1857 | 85 | 0 | 0 | 0 |
| Input Watts 40 | 25 | 1358 | 1367 | 1383 | | | | |
| Luminaire Efficacy 45 LPW | 30 | 745 | 789 | 851 | | | | |
| | 35 | 406 | 454 | 464 | | | | |
| | 40 | 160 | 174 | 187 | | | | |
| | 45 | 47 | 57 | 62 | | | | |
| | 50 | 12 | 12 | 12 | | | | |
| | 55 | 4 | 5 | 6 | | | | |
| | 60 | 2 | 2 | 2 | | | | |
| | 65 | 1 | 1 | 1 | | | | |
| | 70 | 1 | 1 | 1 | | | | |
| | 75 | 0 | 0 | 0 | | | | |
| | 80 | 0 | 0 | 0 | | | | |
| | 85 | 0 | 0 | 0 | | | | |
| | Coefficients of Utilization | | | | | | | |
| | pcc | 80 | | | 70 | | | |
| | pw | 70 | 50 | 30 | 70 | 50 | 30 | |
| | RCR | | | | | | | |
| | 0 | 118 | 118 | 118 | 115 | 115 | 115 | |
| | 1 | 113 | 111 | 109 | 112 | 109 | 107 | |
| | 2 | 109 | 104 | 101 | 107 | 103 | 98 | |
| | 3 | 104 | 97 | 93 | 102 | 96 | 92 | |
| | 4 | 98 | 92 | 86 | 97 | 91 | 86 | |
| | 5 | 94 | 86 | 81 | 93 | 85 | 81 | |
| | 6 | 91 | 81 | 77 | 89 | 81 | 76 | |
| | 7 | 85 | 78 | 71 | 84 | 77 | 71 | |
| | 8 | 82 | 73 | 68 | 81 | 72 | 68 | |
| | 9 | 79 | 69 | 65 | 78 | 69 | 65 | |
| | 10 | 76 | 67 | 60 | 75 | 66 | 60 | |

Comp Yearly Energy Cost at
\$0.08/KWh = \$5.33



©2012 Philips Omega
All rights reserved.
776 South Green Street • Tupelo, MS 38804
p. 800.234.1890 • f. 662.841.5501
www.omegalighting.com
Canadian Division
189 Bullock Drive • Markham, Ontario L3P 1W4
p. 905.294.9570 • f. 905.294.9811

Contact Factory for Additional Configurations.
Specifications are subject to change without notice.

Some luminaires use fluorescent or high intensity discharge (HID) lamps that contain small amounts of mercury. Such lamps are labeled, "Contain Mercury" and/or the symbol "HG". Lamps that contain mercury must be disposed of in accordance with local requirements. Information regarding lamp recycling and disposal can be found at www.lamprecycle.org

