

INSTRUCTIONS FOR INSTALLING OM241HO24, 481HO54 HOUSINGS

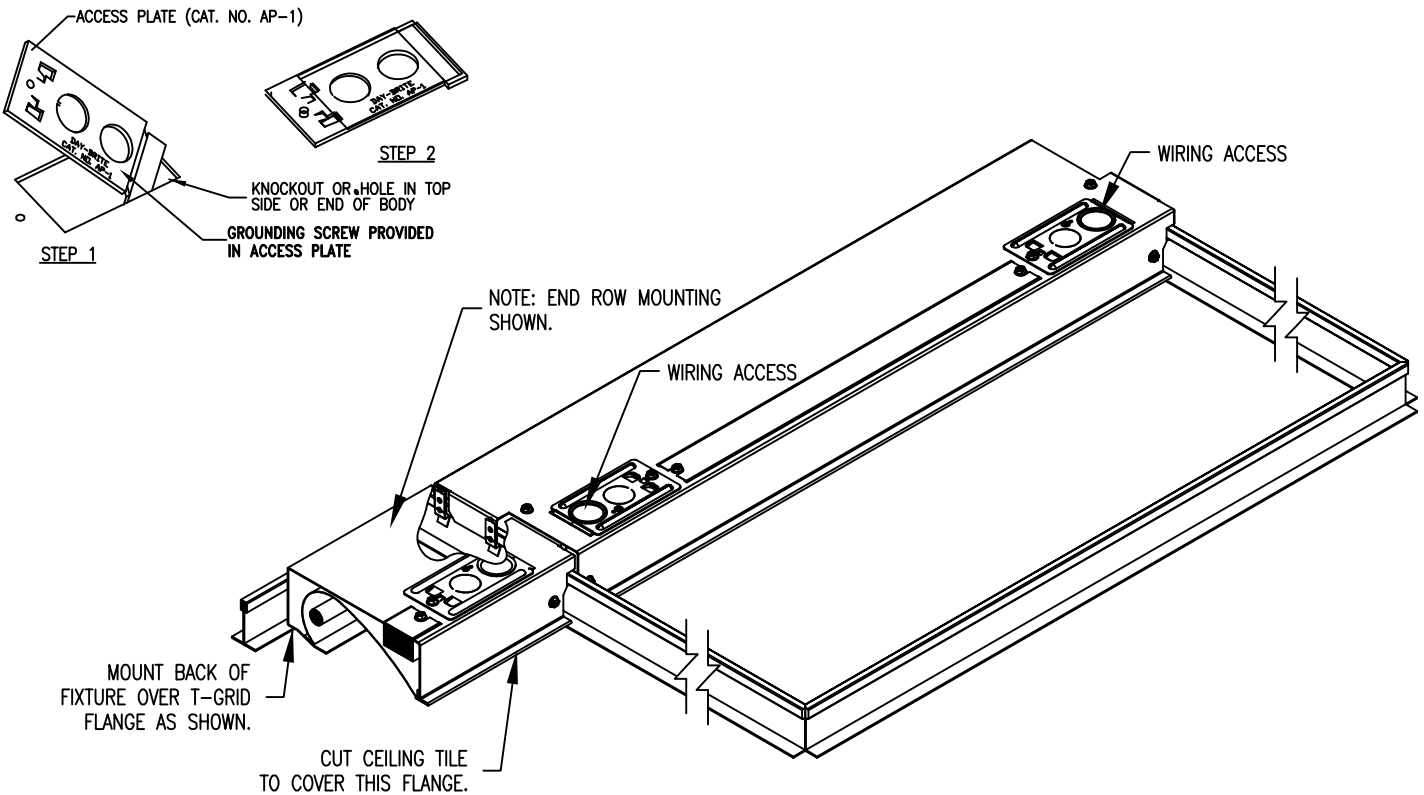
Part No. 7-87625-911 REV -

UNDERWRITERS LABORATORIES LISTING INFORMATION

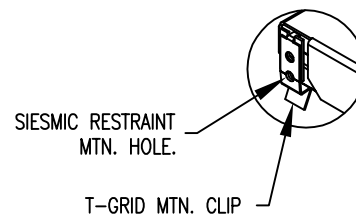
This fixture is UL LISTED for damp locations and meets the UL1598

WARNING: FIRE HAZARD/ELECTRICAL HAZARD

This equipment is intended to be installed only by qualified personnel. The installation must be made in accordance with the current edition of the National Electrical Code, and all applicable state and local electrical codes. The final installation must be approved by the appropriate, qualified electrical/building inspector(s). Improper installation may result in a fire or electrical hazard.



1. Mount fixture in desired location onto T-Grid.
2. Secure Fixture onto "T" grid as shown. Fixture can be secured to T-Grid for seismic restraint using screws (by customer) where applicable by code. See drawing.
3. Wire unit according to local codes as required.
4. Install lamps per wattages noted reflector revamping label. Do not install lamps with wattage exceeding noted wattages.
5. NOTE: This fixture is for use in NON Fire rated ceilings, and NON-IC installations.
6. Turn power on when completed.



OMEGA
LIGHTING

Omega Lighting
776 South Green Street
Tupelo, MS 38804
662-841-7212
662-841-5501 fax

Canadian Division
189 Bullock Drive
Markham, Ontario L3P 1W4
905-294-9570
905-294-9811 fax